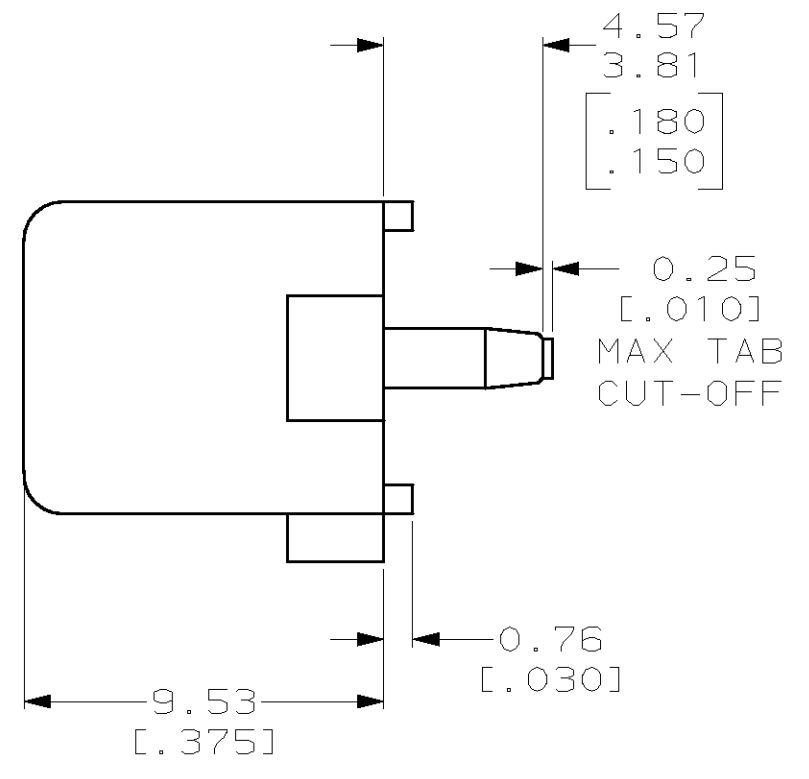
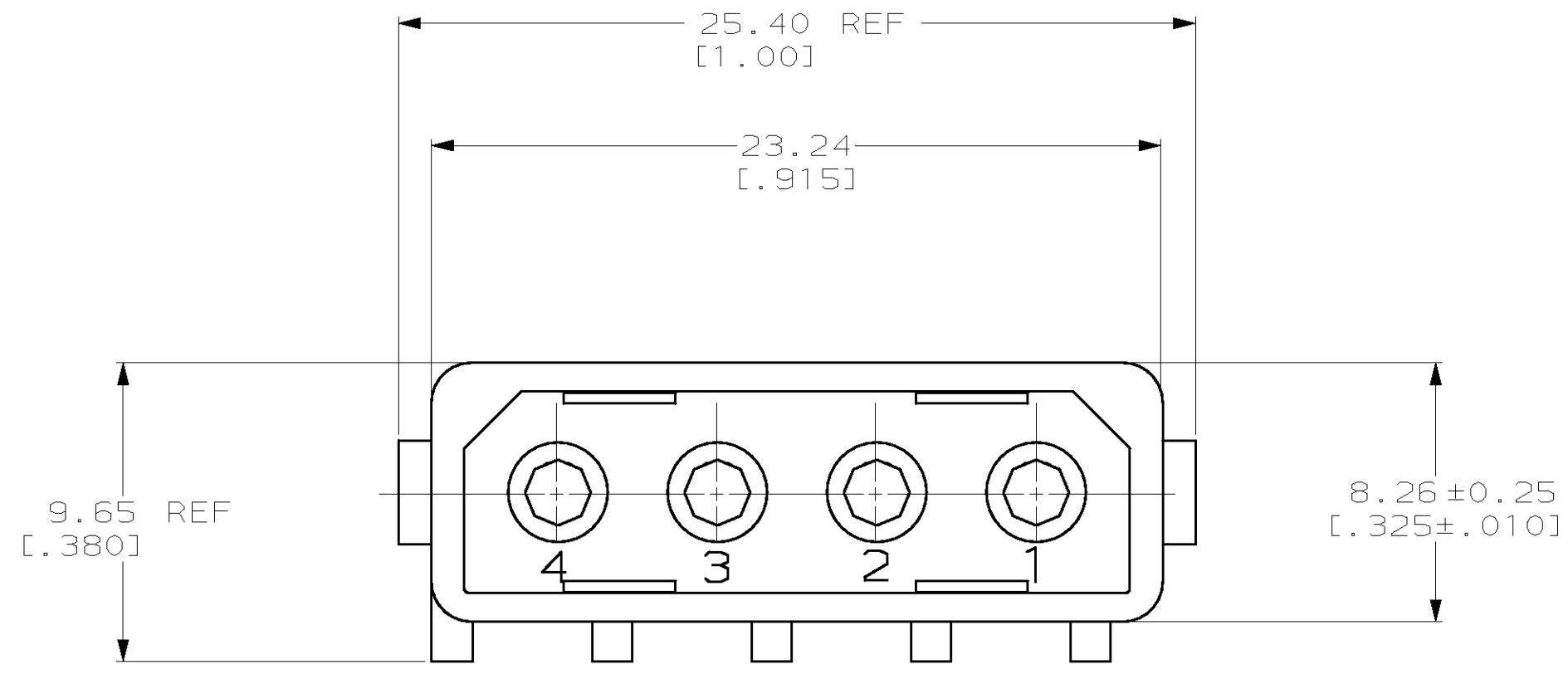
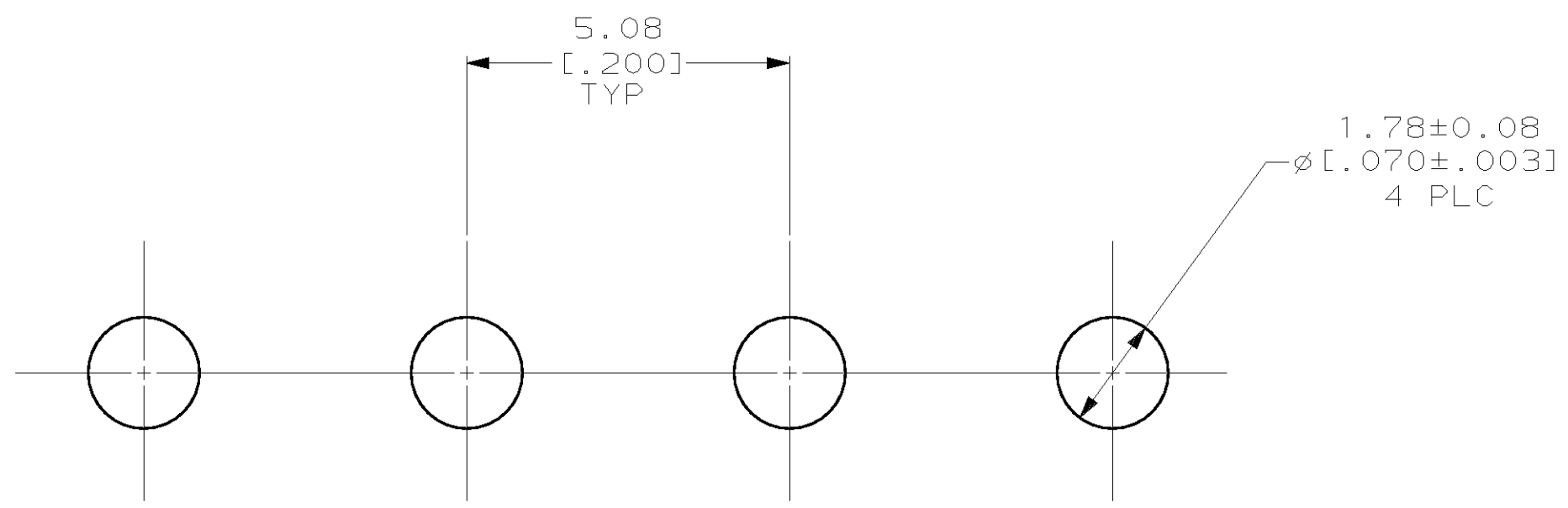


THIS DRAWING IS UNPUBLISHED. RELEASED FOR PUBLICATION
 (C) COPYRIGHT 19 BY AMP INCORPORATED. ALL RIGHTS RESERVED.

REVOLUTION		REVISIONS					
CM	53	P	LTR	DESCRIPTION	DATE	DWN	APVD
		A		REV PER EC 0L30-0052-97	3-26-97	JH	RS



- PARTS MUST COMPLY WITH AMP SOLDERABILITY SPECIFICATION 109-11-3.
- DIMENSIONS IN BRACKETS ARE IN INCHES.



RECOMMENDED P.C. BOARD LAYOUT
 FOR 1.57 [.062] THICK P.C. BOARD
 SCALE 10:1

METRIC

PH BRZ, PRE-TIN	NYLON, UL94V-0, WHITE	794236-1
PIN CONTACT MATERIAL & FINISH	HOUSING MATERIAL & COLOR	PART NUMBER

<small>THIS DRAWING IS A CONTROLLED DOCUMENT FOR AMP INCORPORATED. IT IS SUBJECT TO CHANGE AND THE CONTROLLING ENGINEERING ORGANIZATION SHOULD BE CONTACTED FOR THE LATEST REVISION.</small>		DWN B. LEWIS 2-04-97	AMP AMP Incorporated Harrisburg, PA 17105-3608
DIMENSIONS: mm [INCHES]		CHK R. SWING 2-04-97	
TOLERANCES UNLESS OTHERWISE SPECIFIED: 0 PLC ±- 1 PLC ±- 2 PLC ±0.13 [.005] 3 PLC ±- 4 PLC ±- ANGLES ±0°30' FINISH SEE TABLE		APVD C. MARTIN 2-04-97	
MATERIAL SEE TABLE		PRODUCT SPEC -	NAME HEADER ASSEMBLY, 4 CIRCUIT, COMMERCIAL MATE-N-LOK™
		APPLICATION SPEC -	SIZE A2
		WEIGHT -	CAGE CODE 00779
		CUSTOMER DRAWING	DRAWING NO. C=794236
			SCALE 5:1
			SHEET 1 OF 1
			REV A

794236